

FLY6 PRO

USER GUIDE

Join the Cycliq community

We love being part of the global cycling community.

Our mission is to improve road safety by creating awareness of dangerous road users, incidents and making Cycliq readily available to as many cyclists as possible.

Our vision is to have the most comprehensive road safety network in the world, ultimately making all road users safer, reducing serious incidents and death.

We're doing so by creating a global network of Cycliq users on all major social media platforms, encouraging user engagement by posting footage captured on Cycliq, and generating discussions about road safety.

Join the [Cycliq Strava Club](#), and ride with members from around the world today!

 www.upride.cc

 www.youtube.com/cycliq

 www.instagram.com/cycliq

 www.facebook.com/cycliq

 www.twitter.com/cycliq

Subscribe to our newsletter at cycliq.com for all the latest product news.

Contents page

What's in the box	4	Features	22
Read this before using your Fly6 Pro	5	Video resolution	22
Your Fly6 Pro	6	High Dynamic Range (HDR)	22
Register your Fly6 Pro	6	Electronic Image Stabilisation	22
Fly6 Pro layout	7	Looping function	23
Before your first ride	8	Incident protection mode	24
Turning on your Fly6 Pro	8	Manual footage capture	24
Turning off your Fly6 Pro	8	Still image capture	24
Light modes	8	Audio settings	25
		Volume levels	25
OLED screen	9	Audio alerts	25
Getting to know the OLED screen	9	Heat protection	25
Power on/off	9	Cycliq Quick Release System	25
Home screen	10	Idle mode	25
Rotation	11	Video segment length	26
SD card formatting	12	Using your footage	27
Factory reset	13	Accessing your footage	27
Information screen	13	Editing footage	27
Incident protection and image capture	14	CycliqPlus mobile app	28
Other screens	15	WiFi transfer	29
		Updating your firmware	30
Setting up your Fly6 Pro	16	Trouble shooting your Fly6 Pro	31
Charging your Fly6 Pro battery	16	Technical data	32
Battery level indicator	16	Compliance statement	33
Inserting and removing the microSD card	17	Regulatory information	35
Mounting your Fly6 Pro	18		
Attaching the safety tether	19		
Changing your Fly6 Pro settings	20		
Visual and audio alerts	21		

What's in the box

- 1 x Fly6 Pro
- 1 x Cycliq 64GB microSD Card (installed in Fly6 Pro)
- 1 x Seat post mount
- 1 x Standard seat post strap
- 1 x Aero seat post strap
- 1 x 0° Spacer
- 1x D-shaped seat post adapter
- 1x Aero seat post adapter
- 1x Universal Adapter with bolt
- 1 x USB to USB-C cable
- 1 x Safety Tether
- 1 x Safety information and warranty sheet (not pictured)
- 1 x Quick Start Guide (not pictured)



Read this before using your Fly6 Pro

Disclaimer

The Fly6 Pro is designed specifically to be used as a rear 'tail light' with video and audio recording capabilities for bicycles.

While every effort has been made to ensure it will fit most bicycles on the market, it may not fit all bicycles, depending on your bike set up. Please contact our support team regarding your specific application.

Please note that Cycliq, its subsidiaries and affiliates, and its distributors are not liable for any consequential damages arising from any malfunction of the Fly6 Pro, including memory cards.

Warning against copyright infringement

The images recorded with this camera are intended for personal use. Do not record images that infringe upon copyright laws without the prior permission of the copyright holder. Please be advised that in certain cases the copying of images from performances, exhibitions, or commercial properties by means of a camera or other device may contravene copyright or other legal rights even if the image was shot for personal use.

Safety, operating and care information

The following is important information which relates to the safe operation and care of your Fly6 Pro. For more information, please read your 'Safety Information & Limited Warranty Guide' contained in your accessory box and visit cycliq.com/qsg for more information.

Cautions

- **Warning!** No modification of this device is allowed. Opening the housing of the Fly6 Pro will damage the water-resistant seal and void your warranty.
- The Fly6 Pro is not a toy: children should not play with the Fly6 Pro.
- Do not look directly at the LED lights when operating.
- Do not immerse the Fly6 Pro in water or any other liquid.
- Avoid dropping or knocking the Fly6 Pro in any way.
- Pay attention when closing the port cover, ensuring it is properly sealed prior to operation.
- No liability can be accepted for any damage caused by non-compliance with these instructions or any other improper use or mishandling.
- The Fly6 Pro has a rechargeable lithium-ion battery. When disposing of this, it should be done in compliance with the laws, rules and regulations of your relevant local authorities.

Your Fly6 Pro

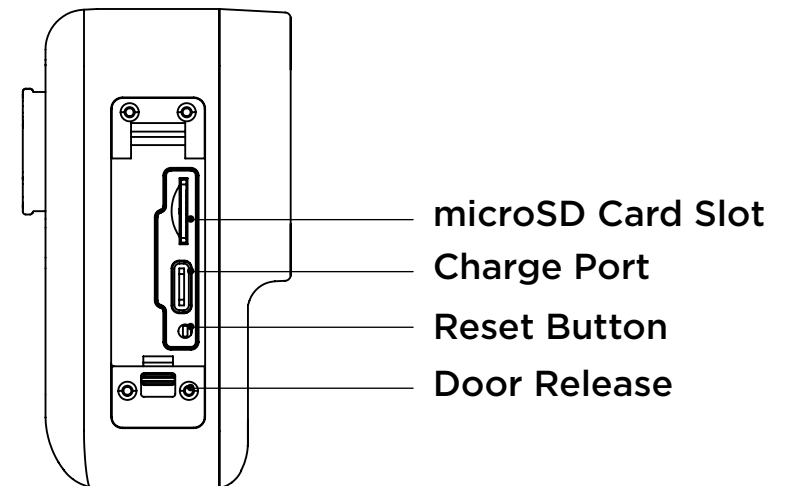
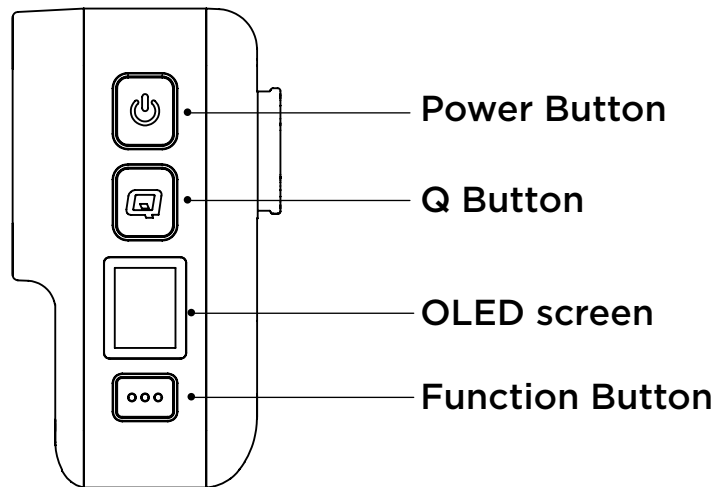
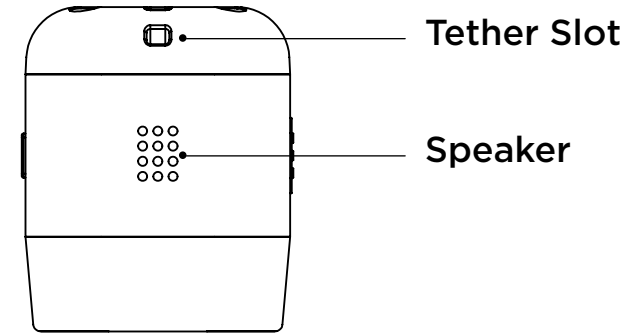
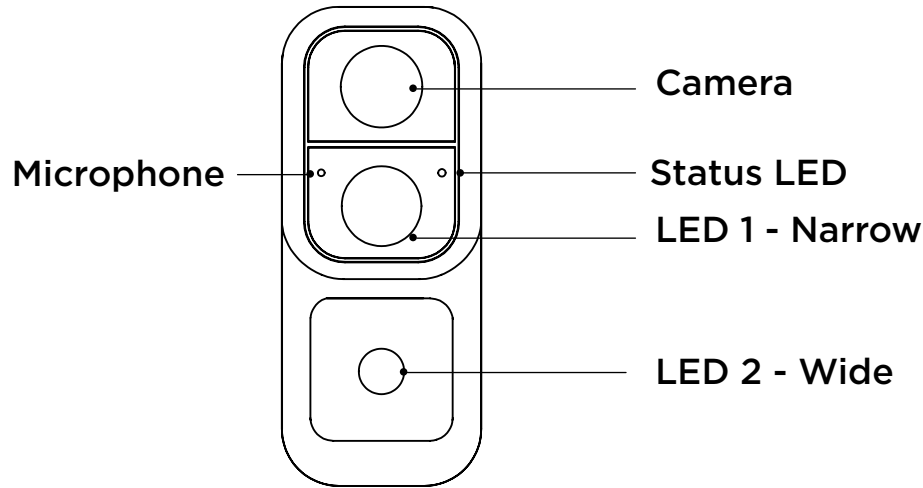
Register your Fly6 Pro

We strongly advise you register your Fly6 Pro with Cycliq, to ensure you receive notifications of firmware updates, feature upgrades and user tips. Registration will also allow us to deliver the fastest possible response should you require technical or warranty support.

To register your Fly6 Pro, visit cycliq.com/register, or use the CycliqPlus mobile app.

Your Fly6 Pro

Fly6 Pro layout



Your Fly6 Pro

Before your first ride

Please follow these steps before your first ride with your Fly6 Pro.

1. Fully charge your Fly6 Pro - [see page 16](#)
2. Ensure the Fly6 Pro port door is securely closed
3. Ensure the safety tether is correctly attached - [see page 19](#)
4. Ensure the rotation of the OLED screen is correct - [see page 11](#)
5. Ensure the date and time stamps are correct- [see page 28](#)

Turning on your Fly6 Pro

Press and hold the power button (for approximately 2 seconds) until the power on chime is heard - then release.

Power level 'beeps' will sound, indicating the battery status - see section on battery level indicators on [page 16](#).

Turning off your Fly6 Pro

Press and hold the power button (for approximately 2 seconds) until the power off chime is heard then release.

Light modes

You can cycle through the available light modes using the power button.

- **Camera Only** (Main LED off)
- **Solid High** (Narrow LED and Wide LED solid with high intensity)
- **Solid Low** (Narrow LED and Wide LED solid with low intensity)
- **Flash High** (Narrow LED and Wide LED flashing with high intensity)
- **Flash Low** (Narrow LED and Wide LED flashing with low intensity)
- **Pulse High** (Narrow LED and Wide LED pulsing with high intensity)
- **Pulse Low** (Narrow LED and Wide LED pulsing with low intensity)
- **Organic** (Random generation of high and low intensity from both LEDs)

All light modes are available by default on the Fly6 Pro. You can customise the available light modes via CycliqPlus, so only your preferred light modes are available.

Note

To maximise battery life, select a lower intensity light mode and turn off the Fly6 Pro when not in use. The light mode last used will be remembered when the Fly6 Pro is turned off. The next time the Fly6 Pro is turned on it will resume with the previously used light mode.

Please consider the bicycle light regulations in your area when setting up your light modes.

OLED Screen

Getting to know the OLED Screen on your Fly6 Pro

The OLED screen on the side of the Fly6 Pro allows you to control many features and functions with ease. The main functions of the OLED screen can be toggled by pressing the function button.

1. Power on / off
2. Home screen
3. OLED screen
4. Light mode
5. SD card formatting
6. Factory reset
7. Information

1. Power on/off

Powering on your Fly6 Pro

After a short press of the power button, the Fly6 Pro will power on followed by a series of beeps. The power level 'beeps' will sound indicating the battery status and the Cycliq Q logo will be displayed on the OLED screen.

Powering off your Fly6 Pro

Press and hold the power button until the power off chime is heard. The OLED screen will show the Cycliq Q logo before powering off.



1. Power on/off



2. Home screen



3. Screen



4. SD card format



5. Factory reset



6. Information



1. Power on/off

OLED Screen

2. Home screen

The home screen is the default display on your Fly6 Pro. When turning on the Fly6 Pro the home screen will be displayed. The screen will also default back to the home screen 10 seconds after any activity.

Bluetooth status

The Bluetooth icon is shown when a Bluetooth connection is established with the Fly6 Pro when connected to the CycliqPlus mobile app.

Time

The time on the Fly6 Pro can be adjusted via CycliqPlus. See section on changing your time setting on [page 28](#).

Light mode

The current active light mode is displayed on the home screen. To toggle available light modes press the power button and the new light mode will be shown on the home screen. See section on light modes on [page 8](#).

Battery Status

4 bars = 75% to 100% charged

3 bars = 50% to <75% charged

2 bars = 25% to <50% charged

1 bar = 1% to <25% charged



OLED Screen

3. Screen On/Off

By default, the OLED screen of your Fly6 Pro is set to always on.

Changing settings

To set your OLED screen of your Fly6 Pro to always on, press and hold the function button (for approximately 3 seconds).

Note

To wake up your Fly6 Pro from inactivity, press any button.



1. Always On



2. Off After 30 Seconds

OLED Screen

4. SD card formatting

Caution

Please note formatting your microSD card will permanently remove all previously recorded incidents - including any previously locked files.

Formatting your microSD card

To format your microSD card, press and hold the function button until a five second countdown appears. Continue to hold the function button during the countdown until the success message is shown, then release the function button.

Success

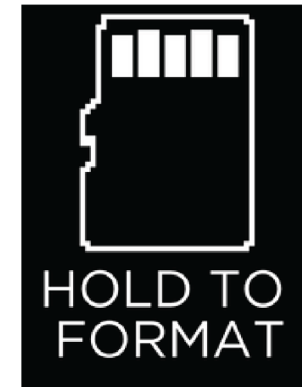
When your microSD card is formatted correctly, this screen will be shown for two seconds, before returning to the home screen.

Format fail

This screen will be shown if your microSD card can not be formatted. This could be due to a corrupt or damaged microSD card.

No SD card

If there is no microSD card installed, or it is not correctly installed this screen will be shown.



OLED Screen

5. Factory reset

To reset your Fly6 Pro

To reset your Fly6 Pro back to factory default settings press the function button and toggle until the 'Factory Reset' screen appears. Press and hold the function button, a five second countdown will appear - continue to hold the function button during the countdown and release the button when the Fly6 Pro turns off. The Fly6 Pro will then turn itself back on and the reset is complete.

Note

Resetting your Fly6 Pro back to factory settings will reset the light mode by default to organic and the camera mode to 1440p @30fps.



6. Information screen

Allows you to view the firmware version installed on your Fly6 Pro and your serial number.



OLED Screen

7. Incident protection and image capture

Incident protection

Incident protection mode has been designed to automatically lock files containing incidents so that they are not recorded over. Incident protection mode is activated when the Fly6 Pro is tilted more than 60° from vertical for more than five seconds. Learn more about incident protection mode on [page 24](#).

The incident screen is displayed to show your incident has automatically been saved and files locked.

Manual footage capture

If you witness an event that you want to capture, simply press the Q button. This will lock the current and preceding video segments.

The manual lock icon will be shown to confirm the incident has been saved and files locked. Learn more about manual footage capture on [page 24](#).

Still image capture

The Fly6 Pro can take still images while recording video. You can capture a still image by pressing and holding the Q button (for approximately 2 seconds). The camera icon will be shown to confirm the image has been saved. Learn more about capturing still images on [page 24](#).



Incident protection mode confirmation



Manual footage confirmation



Still image capture confirmation

OLED Screen

8. Other screens

Charging

Displayed when the Fly6 Pro is powered off and connected to a power source.

Each bar represents 25% battery life.

4 bars = 75% to 100% charged

3 bars = 50% to <75% charged

2 bars = 25% to <50% charged

1 bar = 1% to <25% charged

Mass Storage

Shown when your Fly6 Pro has a microSD card installed and is connected to a desktop.

Mass Storage with no microSD card

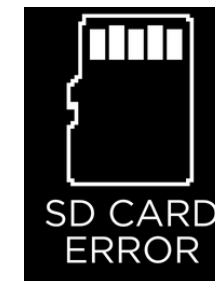
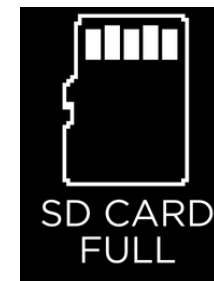
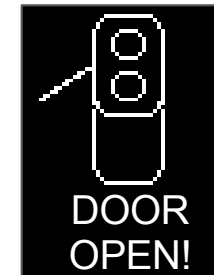
Shown when you Fly6 Pro has NO microSD card installed and is connected to a desktop.

SD card errors

Will flash on the display when turning on your Fly6 Pro if any issues are detected.

Door Open

Will flash on the display when turning on your Fly6 Pro if any issues are detected.



Setting up your Fly6 Pro

Charging your Fly6 Pro battery

Your Fly6 Pro comes partially charged. Before using it for the first time, please charge fully.

To charge:

- Connect your Fly6 Pro to a USB power adapter (not supplied) using the supplied USB cable.
- The indicator light will illuminate red showing the Fly6 Pro is charging.
- The indicator light will illuminate green when the Fly6 Pro is fully charged.

You can charge your Fly6 Pro using the USB cable provided and your computer however, charging via your computer will significantly reduce the rate of charge. For the quickest charge, use a USB power adapter that supports USB fast charge (5V @ 2A).

Note

The Fly6 Pro is fast charge compatible and accepts up to 2 amps. Accordingly, the time to charge from flat to fully charged varies from 2.5 to 8 hours depending on the method of charging, i.e. mains power USB at 2 amps (not supplied) or computer USB (at as little as 0.5A). Battery life will diminish over time and with charge cycles.

Battery level indicator

When turning on your Fly6 Pro, an audible battery status will sound alerting you to the current battery level. This allows you to determine if you have enough power to record your planned ride.

Additionally, you can view the current battery level of your Fly6 Pro on the OLED screen - [see page 10](#).

See below for audible and visual notification guide:



4 rapid high pitched beeps = 75% to 100%



3 rapid high pitched beeps = 50% to <75%



2 rapid high pitched beeps = 25% to <50%



1 rapid high pitched beep = 1% to <25% charged

Setting up your Fly6 Pro

Inserting and removing the microSD card

- Your Fly6 Pro comes with a 64GB microSD card pre-installed.
- Your Fly6 Pro **MUST** have a microSD card installed to operate correctly.

To install a microSD card into your Fly6 Pro, press the card gently into the card slot of your Fly6 Pro until locked in place.

Please ensure the contact points on the microSD card are pointing upwards towards the top of the Fly6 Pro, as illustrated.

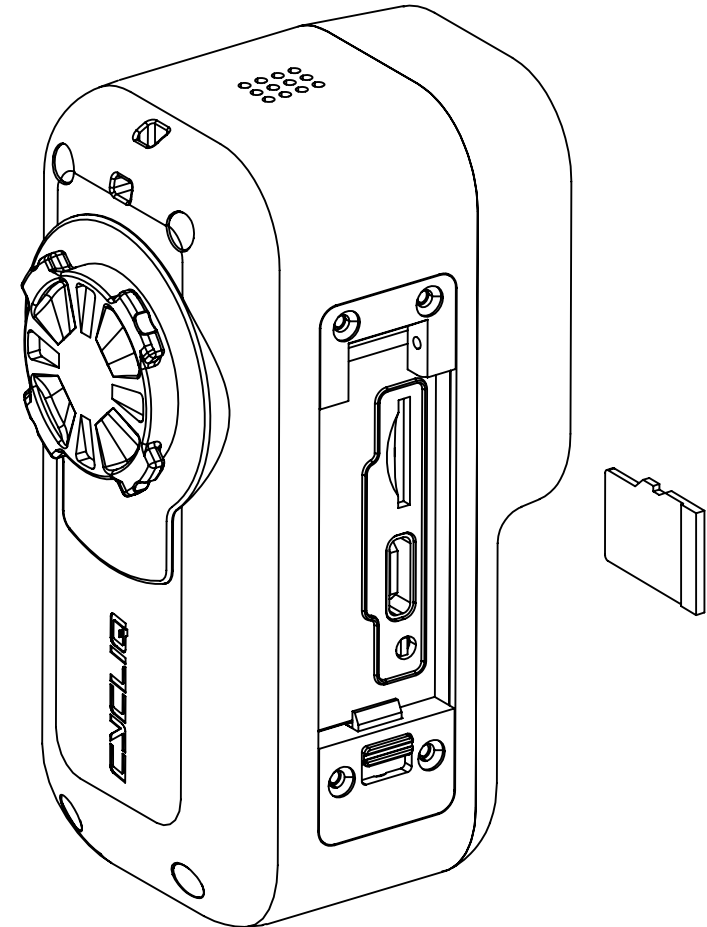
To remove your microSD card, gently press inwards on the microSD card until it releases from the microSD card slot.

Note

We highly recommend formatting your microSD card regularly. This will ensure your Fly6 Pro operates at peak performance and will safeguard that your ride is always recorded.

The Fly6 Pro can easily format your microSD card - see [page 12](#).

More information on how to format your microSD card is available [here](#).



Setting up your Fly6 Pro

Mounting your Fly6 Pro

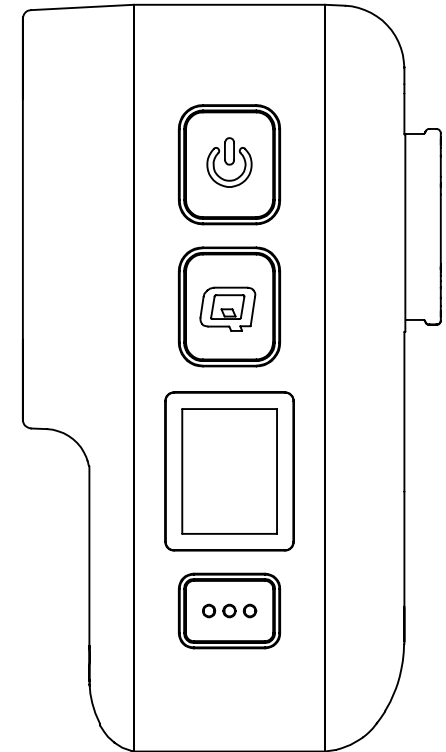
Your Fly6 Pro comes with a seat post mount that features the Cycliq 1/8 Turn Quick Release System. There are 2 Velcro strap lengths included to allow for mounting to traditional (narrow) and aero (wide) seat post styles.

To mount:

1. Insert either the standard or aero length seat post strap and pull all the way through until the clasp meets the seat post mount, ensuring the silicon-coated surface grips your seat post.
2. Select the appropriate spacer or adapter for your bike. Place the spacer or adapter between the Fly6 Pro seat post mount and the seat post.
3. While holding the mount against your seat post, wrap the Velcro strap around and feed it through the rectangular hoop at the other end of the strap. Wrap the Velcro back on itself to secure your mount.
4. To mount your Fly6 Pro align the tabs on the device with the slots in the seat post mount. Turn Fly6 Pro clockwise a 1/8th turn until you hear a click and then the Fly6 Pro will be locked into the seat post mount.
5. You can easily remove your Fly6 Pro from the bike by removing it from the seat post mount with a 1/8th turn anticlockwise. You can leave the mount on your bike for next use.

Note

If installing your Fly6 Pro using the universal adapter and a finned style mounting system, the process of operating the 1/8th turn is the same as above.

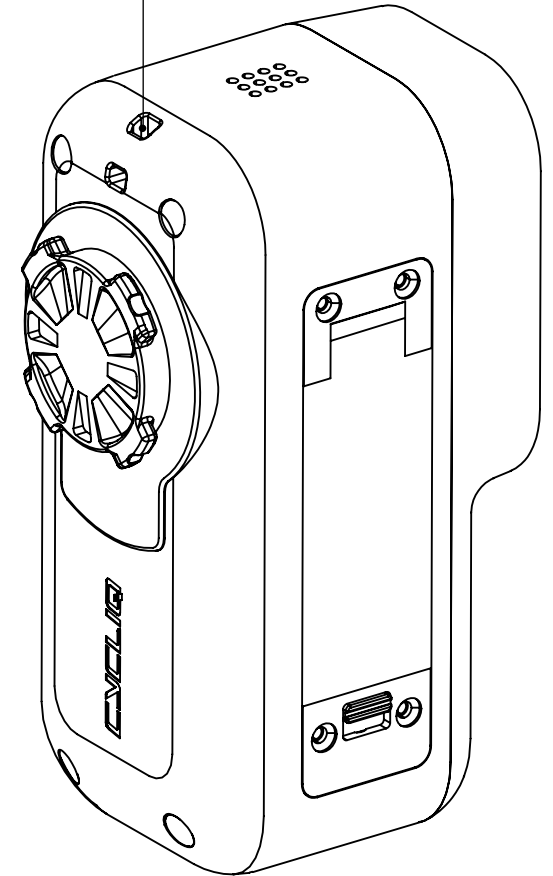


Setting up your Fly6 Pro

Attaching the safety tether to your Fly6 Pro

1. On the top of the Fly6 Pro there is a single slot for the safety tether to be attached.
2. Thread the thinner part of the tether through the slots, then thread the other end through the loop to secure the tether.
3. We advise **ALWAYS** using your Fly6 Pro with the safety tether attached and secured around the seat post.

Tether Slot



Setting up your Fly6 Pro

Changing your Fly6 Pro settings

On the Fly6 Pro

- Most primary functions can be accessed using the power, Q and function button.
- The OLED screen on the rear of the Fly6 Pro is controlled by the function button.

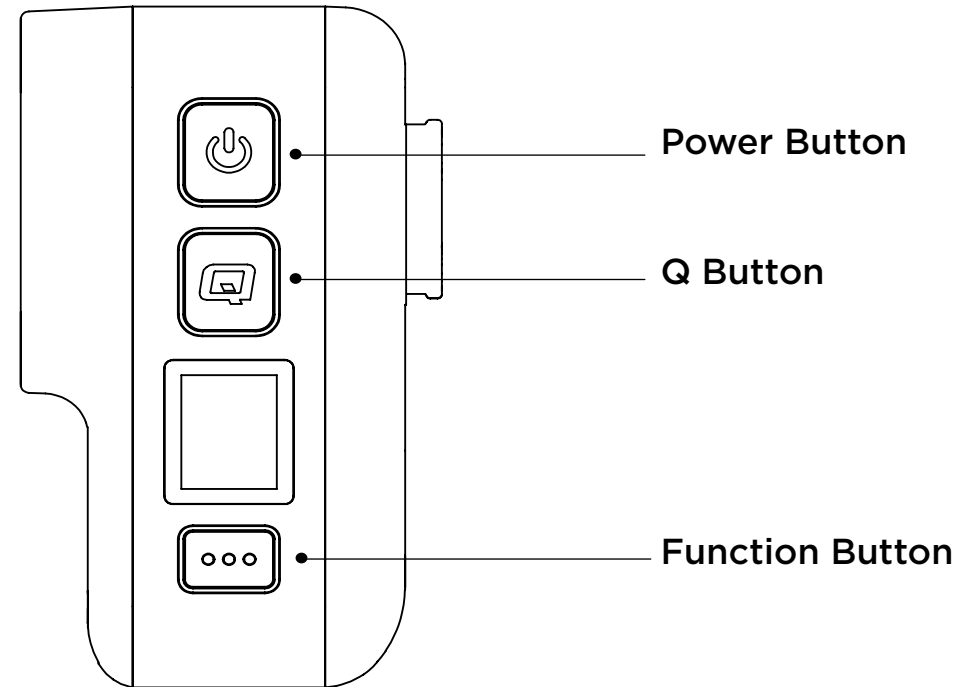
On the CycliqPlus mobile app

- There are some settings and features that are only accessible via the CycliqPlus mobile app. (iOS and Android)
- The CycliqPlus mobile app is available for download from the Apple store and the Google Play Store.



On the CycliqPlus desktop app

- This option offers similar functionality to the CycliqPlus mobile app. It is accessible on your PC or Mac when you plug the Fly6 Pro into your computer using the supplied USB cable. Alternatively, you can insert the microSD card into your computer using a microSD card reader.



Visual and audio alerts

Mode	Visual Alert	Audible Alert
Recording (75% to 100% charged)	Display: battery level shown on OLED screen LED: flashing red	Power On/Off 4 beeps
Recording (50% to <75% charged)	Display: battery level shown on OLED screen LED: flashing red	Power On/Off 3 beeps
Recording (25% to <50% charged)	Display: battery level shown on OLED screen LED: flashing red	Power On/Off 2 beeps
Recording (1% to <25% charged)	Display: battery level shown on OLED screen LED: flashing red	Power On/Off 1 beep
Power On (with SD card inserted)	(refer to above charge level)	Power On chime + battery level beep(s)
Power Off (with SD card inserted)	(refer to above charge level)	Power Off chime
No SD card	No SD card error on OLED screen	Error beep will continue every 30 seconds for 2 minutes
Incident Protection mode	Display: incident lock icon on OLED screen	3 rapid beeps when triggered
Manual footage capture	Display: manual lock icon on OLED screen	3 rapid beeps when triggered
USB Plugged in - Charging	Display: battery level shown on OLED screen LED: solid red	N/A
USB Plugged in - Fully charged	Display: battery level shown on OLED screen LED: solid green	N/A
Optional audible alerts for normal operation	(refer to above charge level)	Audible sound: 3, 5 or 10 minute beeps
Door open	Door open error on OLED screen	Error beep will continue until closed

Note

To listen to tones described in the table above visit the [Visual and Audio Alerts Guide for Fly6 Pro](#).

Features

Video resolution

The Fly6 Pro is equipped with a 4K camera. The lens has a 145° viewing angle providing an ultra-wide view. There are multiple video resolutions to choose from. The higher the resolution settings, the more storage space and power will be used.

Video	Frames per second	Screen resolution
1080p	30	1920 x 1080 16:9
1080p	120	1920 x 1080 16:9
1440p	30	2560 x 1440 16:9
4K	30	3840 x 2160 16:9

Note

The resolution of the recorded video can be toggled via CycliqPlus. [See page 28.](#)

High Dynamic Range (HDR)

HDR optimises footage when travelling through areas of light and dark. The Fly6 Pro supports HDR in:

2160p @30fps

1440p @30fps

1080p @30fps

Electronic Image Stabilisation

6-axis Electronic Image Stabilisation (EIS) provides enhanced image smoothness regardless of the terrain or surface you're riding on. This allows the Fly6 Pro to record smoother video in greater detail (please note this feature is not available in HDR mode.)

Note

Electronic Image Stabilisation can be toggled on/off via CycliqPlus.

Features

Looping function

The Fly6 Pro is designed as a 'set and forget' cycling accessory. The footage is set to record on a 'continuous loop', so you don't have to worry about running out of storage space on the microSD card.

When there is no free space left to record on your microSD card, the Fly6 Pro will start recording over the oldest available file first.

Any locked footage saved by the Fly6 Pro incident protection mode ([see page 24](#)) or manual footage capture ([see page 24](#)) will not be overwritten by the looping function.

The looping function cannot be turned off. This ensures that you are always recording your ride.

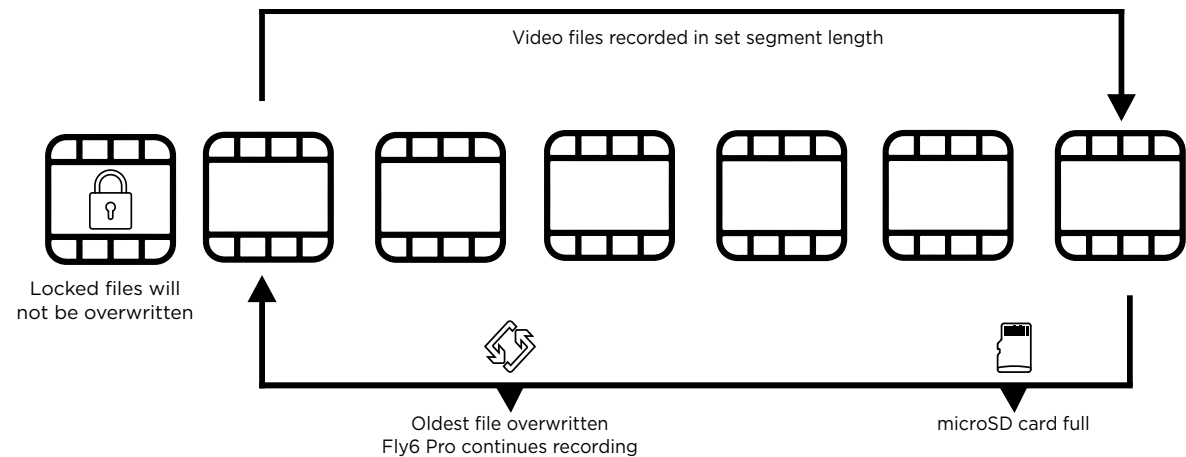
If you want to keep your ride footage, simply transfer it onto another storage device like a phone, computer, or hard drive.

You can use a [Cycliq microSD OTG Card Reader](#) to transfer files from your microSD card.

The maximum duration of video footage that you can record is dependent on the Fly6 Pro resolution, frame rate settings and the storage size of your microSD card.

Note

The Fly6 Pro requires a compatible Class 10 microSD card. Not all micro sd cards are the same and may have differing read/write speeds. See our recommended list of [compatible microSD cards](#).



Features

Incident protection mode

The Fly6 Pro has been designed to automatically save footage from major incidents.

Incident protection mode is activated when the Fly6 Pro is tilted more than 60° from vertical (or 30° from the ground) for more than five seconds. If this happens during the first half of segment, the Fly6 Pro will lock its current segment as well as the previous segment. Should incident protection mode be activated during the second half of the segment, the Fly6 Pro will lock its current segment as well as the proceeding segment. After incident protection mode has been activated, the Fly6 Pro will continue to record.

Note

The incident protection mode can be toggled on/off via CycliqPlus, **HOWEVER**, we strongly advise you leave incident protection mode active at all times.

Manual footage capture

If you witness an event that you want to capture and retain when riding, simply press the Q button. This will lock the current and immediately preceding video files.

A lock icon will be shown on the OLED screen to confirm the manual footage capture.

Still image capture

The Fly6 Pro can take a still image while recording video. You can do this by holding the Q button for 2 seconds. The still image capture is confirmed by a snapshot sound. A camera icon will be shown on the OLED screen to confirm the still image capture.

This image will be saved as a JPEG and can be accessed with the rest of your footage.

This feature enables you to capture images without having to take screenshots from video footage.

Features

Audio

The Fly6 Pro is equipped with a high-quality, in-built microphone for audio recording. It also features a speaker for issuing audible alarms and alerts.

Volume levels

The volume of the speaker can be set to low, medium or high.

Audio alerts

A recording alert notification can be set, which provides a confirmation chime at 3, 5, or 10-minute intervals to notify you that the Fly6 Pro is recording.

This is useful when you can't easily see the LED or OLED screen while riding.

The recording alert notification and volume of the audio can be customised via CycliqPlus.

Heat protection

The Fly6 Pro is designed with a heatsink, to allow the Fly6 Pro to be cooled down by wind as you ride.

With in-built sensors monitoring the temperature of the Fly6 Pro, if it ever reaches an abnormally hot temperature, the main LED will dim to cool the Fly6 Pro and ensure normal operation.

Cycliq Quick Release System

The Fly6 Pro is mounted and removed from the seat post mount using a 1/8th turn.

To find compatible Cycliq mounting systems, visit [Cycliq accessories](#).

Idle mode

Idle Mode is intended to assist with battery management. If Idle Mode is active, the Fly6 Pro turns off automatically after sensing no movement for 15 minutes. You can turn the Fly6 Pro back on as you normally would when you return to using it.

Idle mode can be toggled on/off via CycliqPlus.

Note

Cycliq recommend familiarising yourself with this function before using it, as this mode can prevent your ride from being recorded. Idle mode should only be used with audible alerts on, so you are aware if the Fly6 Pro is turned on.

Features

Video segment length

Footage is saved in chronological order in 1, 3, 5 or 10-minute segments, with each segment creating a separate video file.

Smaller segments create video files that are more convenient to move and edit, and use less memory.

Larger segments are likely to capture more time either side of an incident, but use more memory.

Note

Longer video segments length allows you longer to find a safe place to pull over and manually capture footage.

The table below gives an indication of approximate file size per segment length:

Example at 1440p QHD @30fps with H.264

Segment Length	Approx. File Size
1 minute	180 MB
3 minutes	390 MB
5 minutes	1.06 GB
10 minutes	1.71 GB

Video segment length can be changed via CycliqPlus.

Using your footage

Accessing your footage

You can view and edit your footage using the CycliqPlus desktop or mobile app.

Go to cycliq.com/software to download CycliqPlus for macOS, Windows, iOS and Android.

After your ride, you can access your footage in a number of ways:

1. Connect the Fly6 Pro to any PC or Mac using the supplied USB cable.
2. Remove the microSD card and read data using your PC or Mac SD card slot.
3. Using a [Cycliq microSD OTG Card Reader](#).
4. Using the CycliqPlus mobile app ([see page 29](#))

Editing footage

You can edit your footage using CycliqPlus on desktop and mobile. From here you can also overlay Strava metrics and share highlights from your ride.

CycliqPlus mobile app

All Fly6 Pro settings can be managed using CycliqPlus mobile app - available for iOS and Android.



Connecting to your mobile device

Your Fly6 Pro uses Bluetooth® for connection to your iOS or Android device.

Connecting for the first time

The first time you connect your Fly6 Pro to your mobile device you will need to follow the below steps to enable Bluetooth.

1. Turn on your Fly6 Pro by a short press of the power button.
2. Open CycliqPlus mobile app and make sure Bluetooth is enabled on your mobile device.
3. Select your Fly6 Pro from the menu.
4. The Bluetooth icon will appear on the Fly6 Pro's OLED screen when a connection is established.

Time and date settings

The Fly6 Pro will automatically sync with the time and date settings from your smartphone when connecting to the CycliqPlus app.

Note

You can also manually input the date and time via the CycliqPlus desktop app.

Light mode settings

This function allows you to select which light options will be available on your Fly6 Pro - [see page 8](#).

Audio settings

Set the volume of the audible alerts on your Fly6 Pro.

Video resolution

The resolution the Fly6 Pro records in can be customised.

Video segment length

Video segment lengths can be set to 1, 3, 5 and 10 minute intervals.

Electronic Image Stabilisation

The Fly6 Pro has 6-axis image stabilisation. This function can be toggled on/off via CycliqPlus.

Idle mode

This function can be toggled on/off via CycliqPlus.

Video logo timestamp display

This function can be toggled on/off via CycliqPlus.

Note

Timestamp can be an important feature should you require the footage for legal purposes.

WiFi transfer

The Fly6 Pro allows you to easily transfer footage and manage your videos wirelessly using Wi-Fi. Follow these steps to seamlessly transfer videos to your mobile device.

Connecting to your mobile device

Your Fly6 Pro uses Bluetooth® and WiFi for connection to your iOS or Android device. To view or transfer footage from your Fly6 Pro on your mobile device, connect your device to the CycliqPlus app. Once connected, press the footage button to initiate WiFi transfer.

Connecting for the first time

If this is your first time initiating WiFi transfer, your mobile device may prompt you to grant permission for the Fly6 Pro to access and connect to the Wi-Fi network. Allow the connection to proceed.

Confirmation

A Wi-Fi logo will appear on the Fly6 Pro's OLED display once the connection is successfully established. Simultaneously, the CycliqPlus app on your mobile device will display the most recent videos, organized by date, along with thumbnails for easy identification.

Disconnect

When you're done transferring videos or managing your footage, you can disconnect the Wi-Fi connection. In the CycliqPlus app, simply tap the '←' or similar option to disconnect, and the Wi-Fi on the Fly6 Pro will turn off.

View and Edit

To view the transferred videos or perform various actions like editing and sharing, go to the "Footage" section within the CycliqPlus app. Here, you can access your videos and make necessary adjustments or share your thrilling moments.

Locked Files

Any files that have been locked or tagged for safekeeping using the CycliqPlus desktop app will be clearly identified, allowing you to easily identify and manage them through the mobile app as well.

Updating firmware

Making sure you have the most up to date firmware will give you the best Cycliq experience possible.

CycliqPlus App

Keep your firmware up-to-date with ease using the CycliqPlus app. Download it for macOS or Windows from the links provided, connect your device with a USB-C cable, and open the app on your desktop to follow the straightforward on-screen prompts.

iOS and Android users benefit from the convenience of wireless updates. The CycliqPlus app will notify you of available firmware updates automatically when connected to the Fly6 Pro.

Visit cycliq.com/software to download CycliqPlus for macOS, Windows, iOS and Android.

Troubleshooting

Master Reset

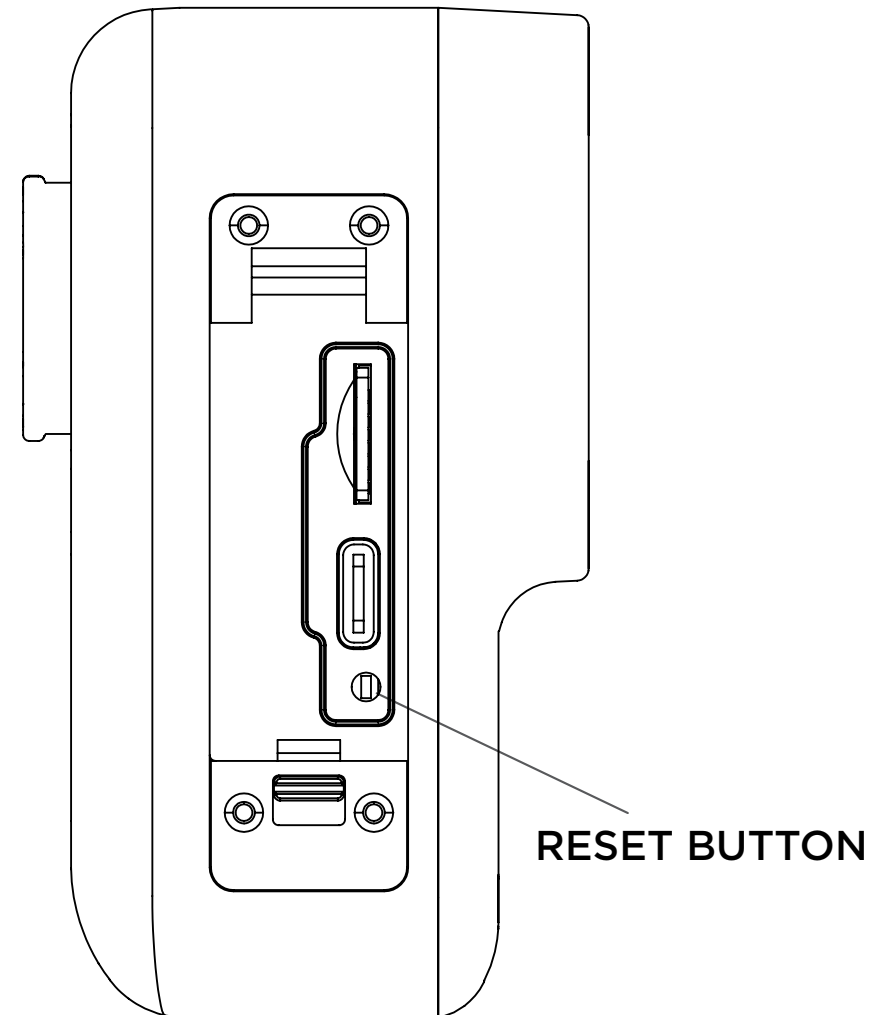
If a reset is required, the reset button is located within the small cut out as illustrated. Carefully use a fine object to press the reset button to perform the reset. Please note the Fly6 Pro will not automatically turn back on. Please turn your Fly6 Pro on to confirm the reset was successful.

 **WARNING**

DO NOT complete a master reset when the Fly6 Pro is in the process of completing a firmware update, as this may damage your Fly6 Pro.

Still need help?

Go to [Fly6 Pro help page](#) where you can view help topics and contact our friendly support team for help on troubleshooting any issues you may be having.



Technical

Name	Fly6 Pro
Model	CE604
Product description	4K bike camera + rear light
Height	84mm
Width	35mm
Depth	47mm
Weight	151.5g (5.33oz)
Battery	Rechargeable lithium ion battery
Battery size	4380mAh (up to 7 hours in Organic mode)
Watt hours	16.86Wh
Voltage	3.85V (battery)
Ingress protection	IP67
Operating temperature / humidity	0-45°C (32-113°F)
Storage temperature / humidity	0-45°C (32-113°F)

Compliance statements

Federal Communications Commission (FCC) compliance statement

This device complies with Part 15 of the FCC Rules. Operation is subject to the following two conditions: (1) this device may not cause harmful interference, and (2) this device must accept any interference received, including interference that may cause undesired operation. Changes or modifications not expressly approved by the party responsible for compliance could void the user's authority to operate the equipment.

This equipment has been tested and found to comply with the limits for a Class B digital device, pursuant to Part 15 of the FCC Rules. These limits are designed to provide reasonable protection against harmful interference in a residential installation. This equipment generates, uses and can radiate radio frequency energy and, if not installed and used in accordance with the instructions, may cause harmful interference to radio communications. However, there is no guarantee that interference will not occur in a particular installation.

If this equipment does cause harmful interference to radio or television reception, which can be determined by turning the equipment off and on, the user is encouraged to try to correct the interference by one or more of the following measures:

- Reorient or relocate the receiving antenna.
- Increase the separation between the equipment and receiver.
- Connect the equipment into an outlet on a circuit different from that to which the receiver is connected.
- Consult the dealer or an experienced radio/TV technician for help.

Industry Canada (IC) compliance statement

This device complies with Industry Canada license-exempt RSS standard(s). Operation is subject to the following two conditions:

- (1) this device may not cause interference; and
- (2) this device must accept any interference, including interference that may cause undesired operation of the device.

Le présent appareil est conforme aux CNR d'Industrie Canada applicables aux appareils radio exempts de licence. L'exploitation est autorisée aux deux conditions suivantes:

- (1) l'appareil ne doit pas produire de brouillage, et
- (2) l'utilisateur de l'appareil doit accepter tout brouillage radioélectrique subi, même si le brouillage est susceptible d'en compromettre le fonctionnement.

Note

This equipment has been tested and found to comply with the limits for a Class B digital device, pursuant to Part 15 of the FCC Rules. These limits are designed to provide reasonable protection against harmful interference in a residential installation. This equipment generates, uses and can radiate radio frequency energy and, if not installed and used in accordance with the instructions, may cause harmful interference to radio communications.

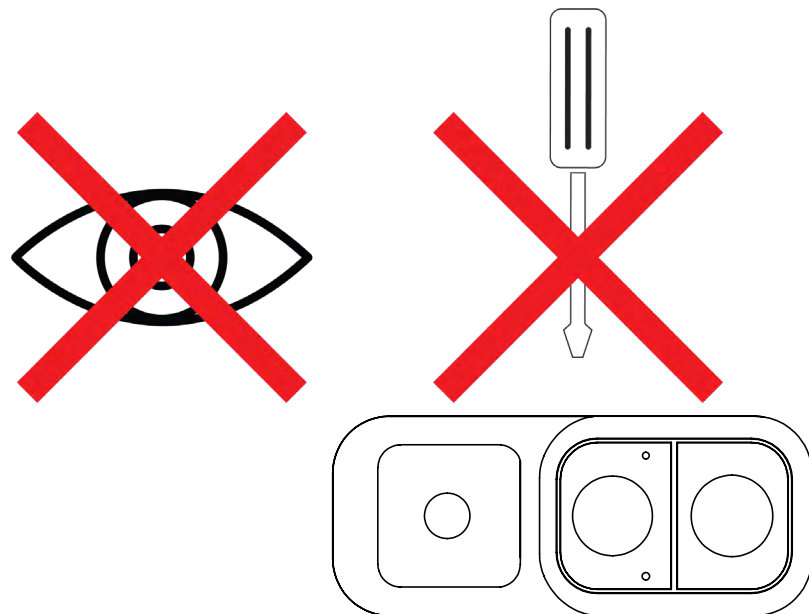
Regulatory information

Caution

To maintain compliance with the RF exposure guidelines, place the unit at least 20cm from nearby persons.

Warning

Changes or modifications to this unit not expressly approved by the party responsible for compliance could void the user's authority to operate the equipment. Risk of explosion if battery is replaced with an incorrect type. Dispose of used batteries according to the instructions.



Limited warranty

For comprehensive warranty information refer to <https://www.cycliq.com/warranty/>

Cycliq customer support

Please go to <https://cycliq.com/support/> for further information and support.

Caution

Cycliq recommends the following:

- Do not look directly at the light.
- Do not leave the light on when not in use.

CYCLIQ

CYCLIQ.COM

 PO Box 404
Subiaco WA 6904
Australia

 info@cycliq.com

FLY6 PRO

User Guide - Version 1.0.2